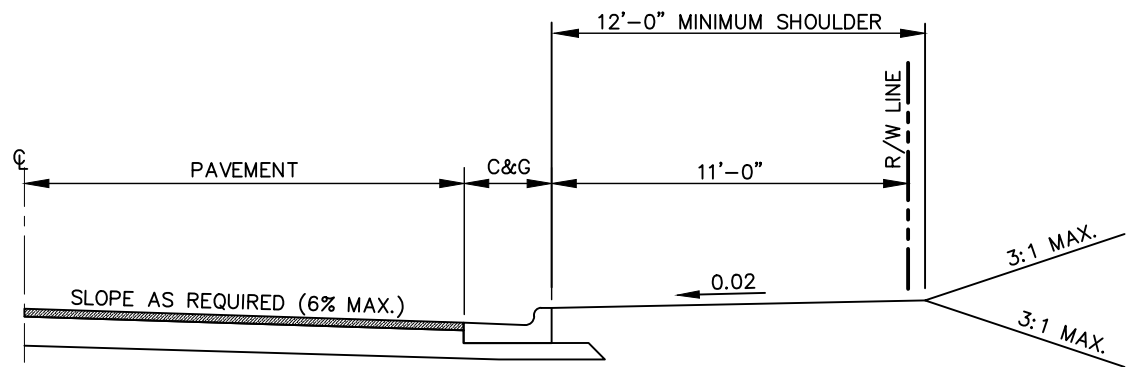
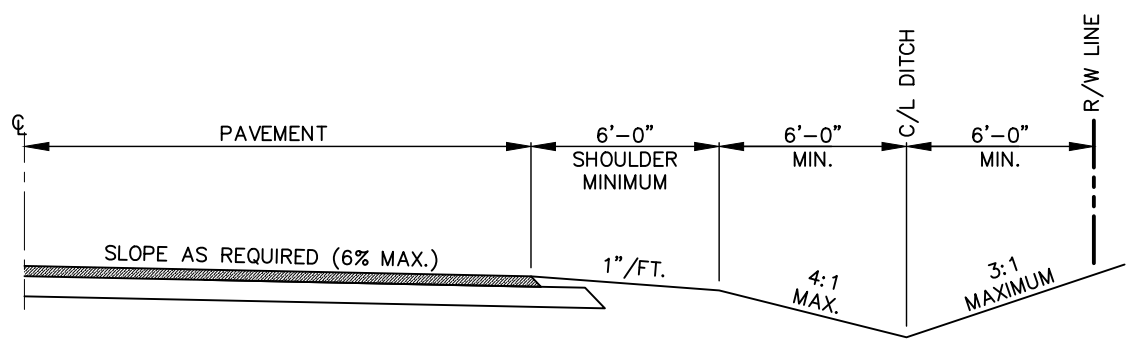


PLAN VIEW



SECTION 'A-A'  
WITH CURB & GUTTER



SECTION 'A-A'  
WITHOUT CURB & GUTTER



EFFECTIVE: 01/05/17

CUL-DE-SAC SECTION

DETAIL No.

03000.06

SHEET 3 OF 3