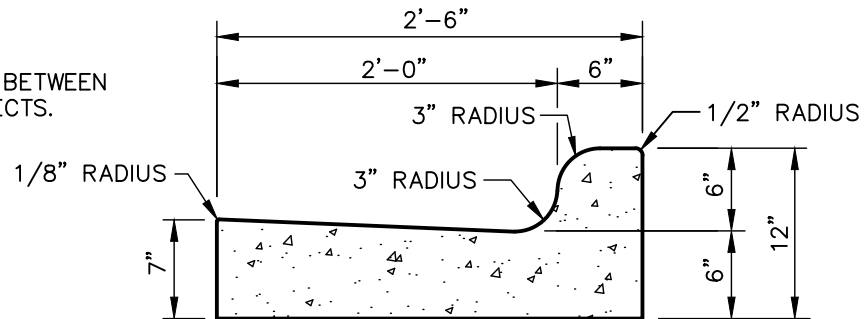


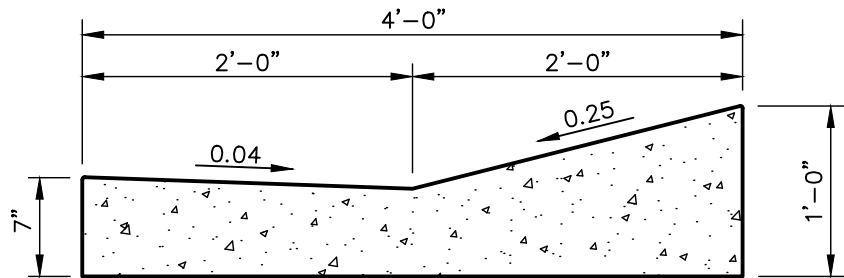
FRONT ELEVATION
TRANSVERSE EXPANSION JOINT

JOINT FILLER
NOTE: MAINTAIN 50-FT MAX. BETWEEN JOINTS OR AT ALL RIGID OBJECTS.

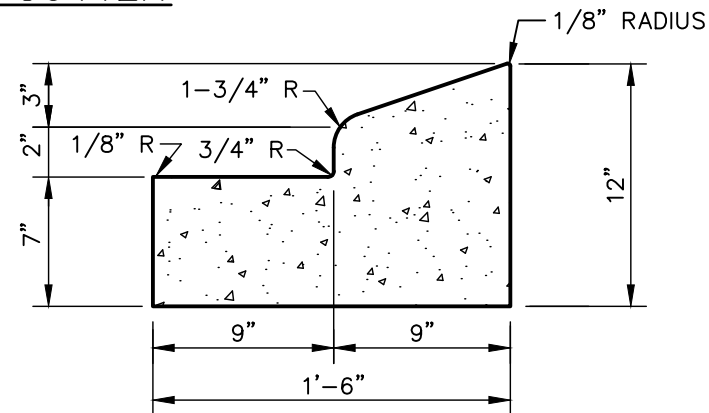


SECTION A-A
SIDE ELEVATION

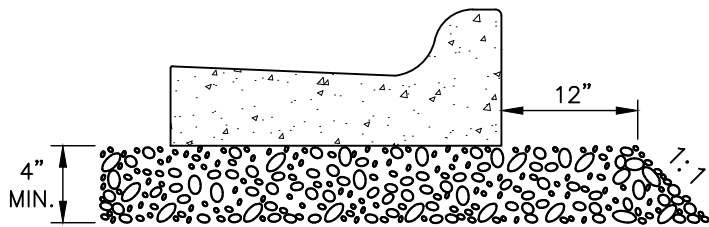
COMBINATION CURB AND GUTTER



EXPRESSWAY GUTTER
(FOR USE ON ALLEYS ONLY)



MEDIAN CURB AND GUTTER
SIDE ELEVATION



A.B.C. UNDER STANDARD
CURB & GUTTER

NOTES:

1. CONCRETE SHALL BE 3,000 P.S.I.
2. CONTRACTION JOINTS SHALL BE SPACED AT 10 FOOT INTERVALS.
(A 15 FOOT SPACING WILL BE ALLOWED WHEN A MACHINE IS USED)
3. FINISH ALL CONCRETE WITH CURING COMPOUND.
4. REFER TO **NCDOT** DETAIL 846.01 FOR CURB AND GUTTER SUPERELEVATION RATES.



EFFECTIVE: 01/05/17

STANDARD CONCRETE CURB AND GUTTER

DETAIL No.

03000.02

SHEET 1 OF 1