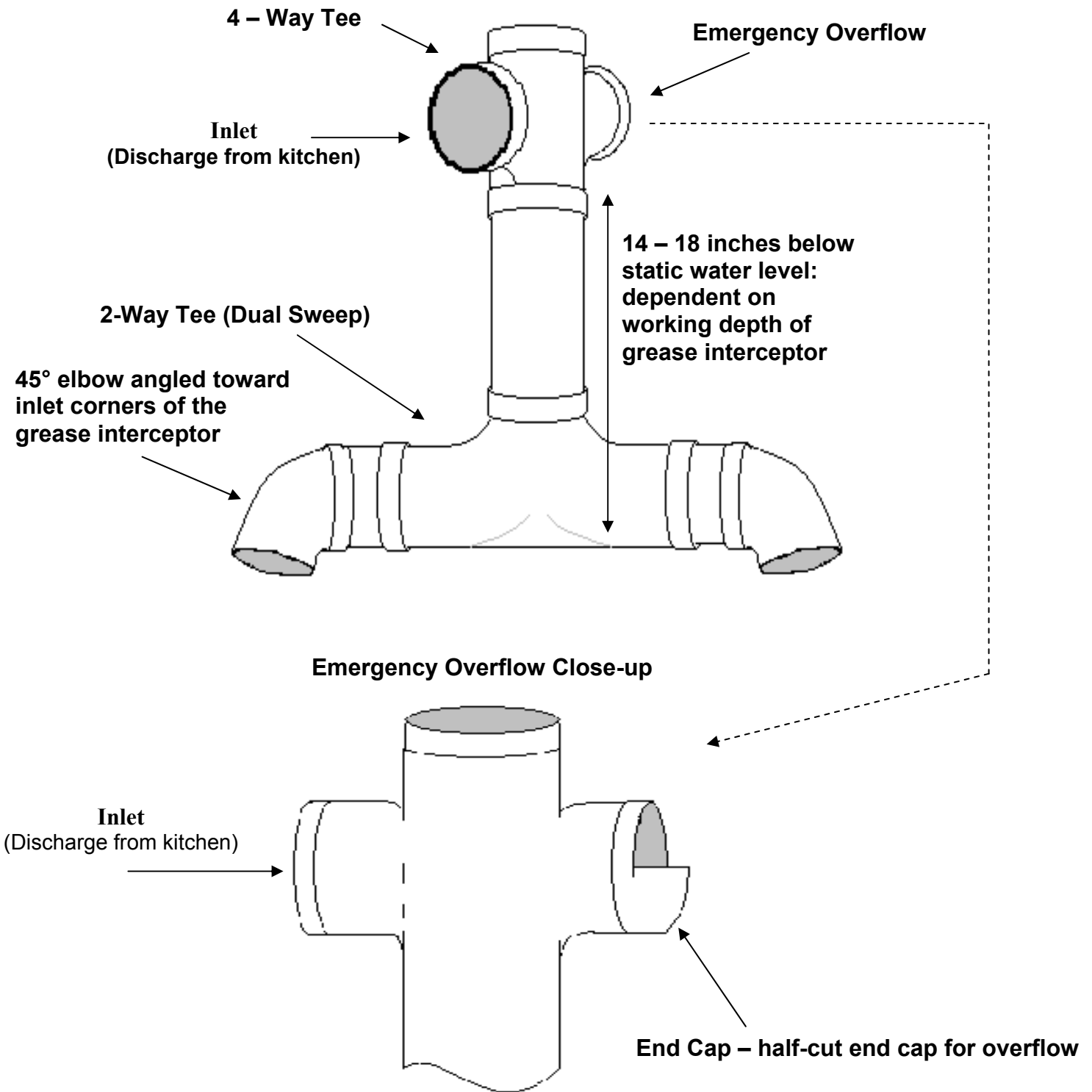


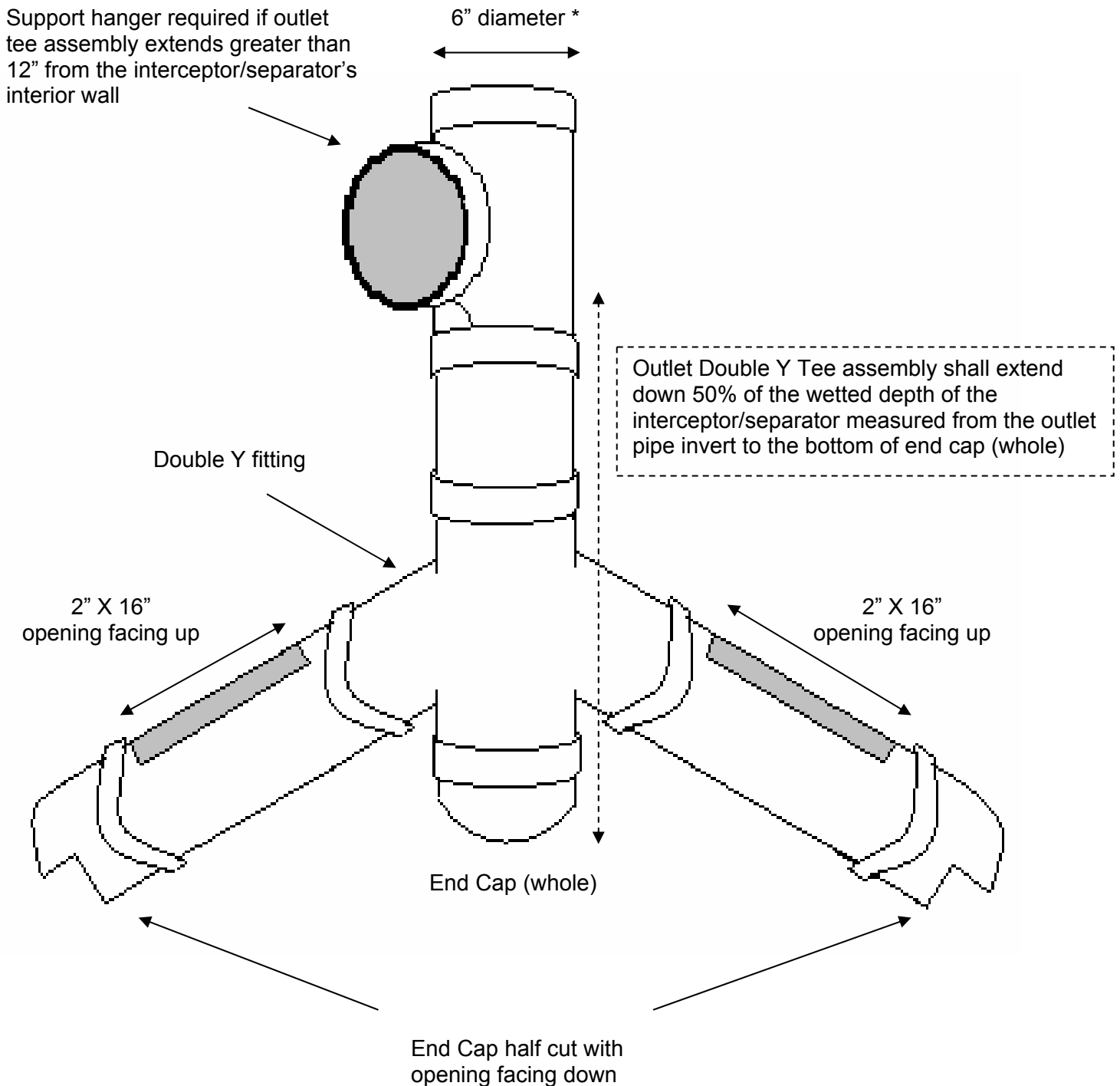
Town of Cary Inlet Sanitary Tee

Inlet flow distribution tee for use in 300 gallon and greater grease interceptors and oil/water separators



Town of Cary Outlet Sanitary Tee

Outlet sanitary tee for use in all 300 gallon and greater sized grease interceptors and oil/water separators. The outlet sanitary tee may also be required on smaller grease interceptors and oil/water separators based on the design of the unit.



Illustrated by:
Donald Smith
Town of Cary

* - Tee assembly shall be 6 – inches in diameter except when used in conjunction with a Town of Cary approved sample vault where a 4 – inch diameter assembly may be used.