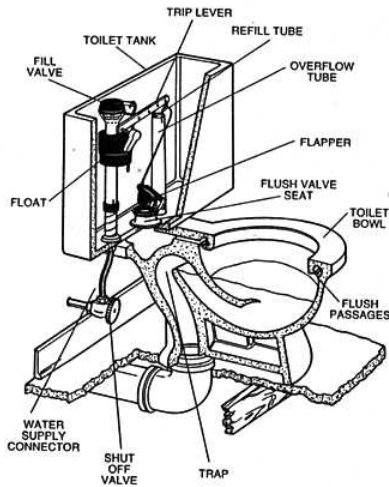


Toilet Training Tutorial

If your toilet makes noises when it's not in use, you could be wasting 50-100 gallons of water each day! In 7 simple steps, you can fix the 2 most common causes of toilet leaks: worn flappers and water spilling into the overflow tube.



1. Remove the lid from your toilet tank.
2. Look for the overflow tube in the center of the tank (see diagram).
3. The water level in a tank should be about 1" to 1½" below the top of the overflow tube. If the water level is higher than ½", water can wastefully spill into the overflow tube during periods of high water pressure. You've found the problem!

The simple fix: Depending on the mechanism you have, there are three basic ways to lower the water level: (1) tighten the center screw on the fill valve or; (2) gently, but firmly bend the float ball arm down or; (3) pinch the silver clip and slide it down the fill valve rod. Flush the commode after you've made the adjustment. If the water level isn't lower, you may need to replace the fill valve to correct the problem.

4. If the water level is 1" to 1½" below the top of the overflow tube and you still hear noises when no one is using the commode, the flapper may be leaking. Follow the next series of steps to detect the leak and fix the problem.
5. Drop a leak detector dye tablet (available by calling 469-4090) or approximately 7 drops of food coloring into the toilet tank —**not the bowl**.
6. Do not flush the commode. Wait until the tablet has dissolved and the color dispersed throughout the water—approximately 20 minutes.
7. If, after 20-30 minutes, you see the color of the tablet or food coloring inside the toilet **bowl**, the flapper is leaking.

The simple fix: Wipe the underside of the flapper and the "seat" that it closes onto. There could be dirt, rust, or a filmy build up preventing the flapper from closing completely and allowing water to seep wastefully into the bowl. If that doesn't work, turn the water off using the shut off valve at the base of the commode, flush the toilet to drain the tank, and replace the flapper with a new early closing toilet flapper. The Frugal Flush early closing toilet flapper and \$4.00 rebate coupon are available to Cary utility customers for 3.5 gallon or larger toilets at local Ace Hardware stores. Be sure to purchase the appropriate flapper for the size of your toilet.