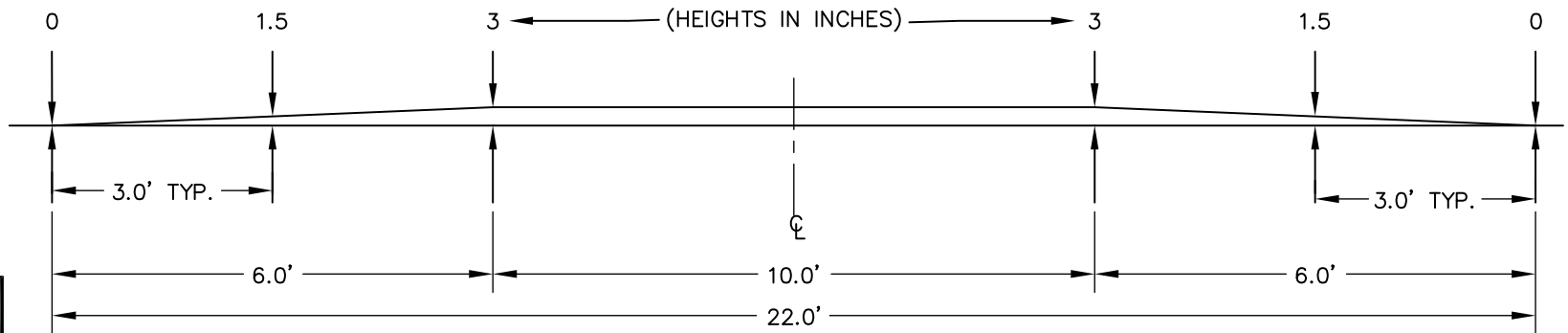
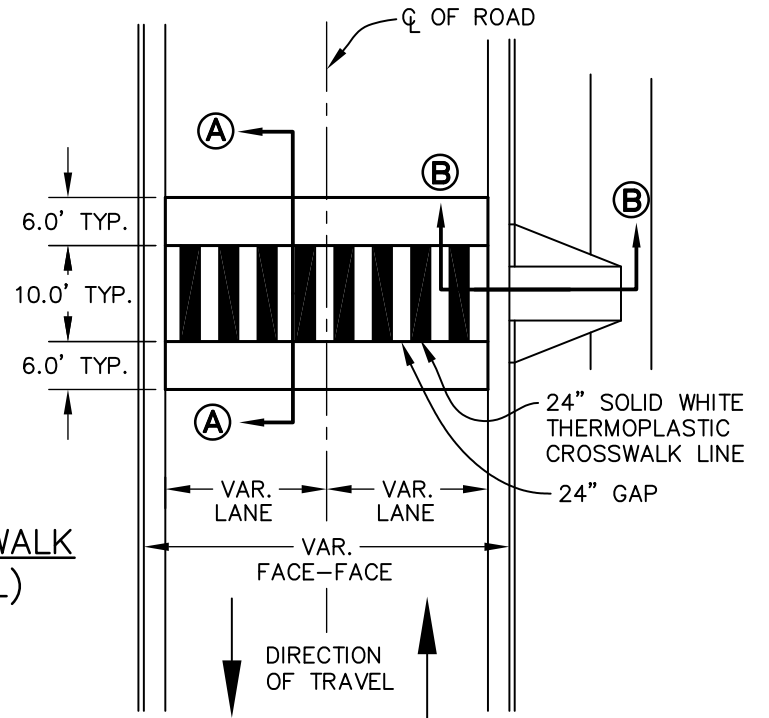


SECTION B-B

RAISED CROSSWALK  
 (HORIZONTAL)



SECTION A-A

STANDARD PAVEMENT UNDULATION  
 (RAISED PEDESTRIAN CROSSWALK)



EFFECTIVE: 07/01/04

DETAIL No.

03000.18

SHEET 3 OF 3