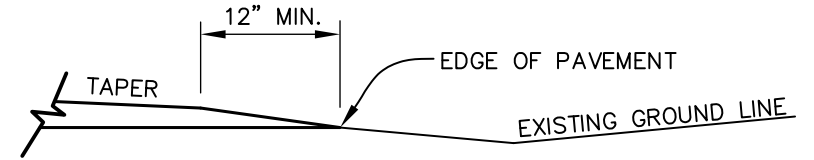
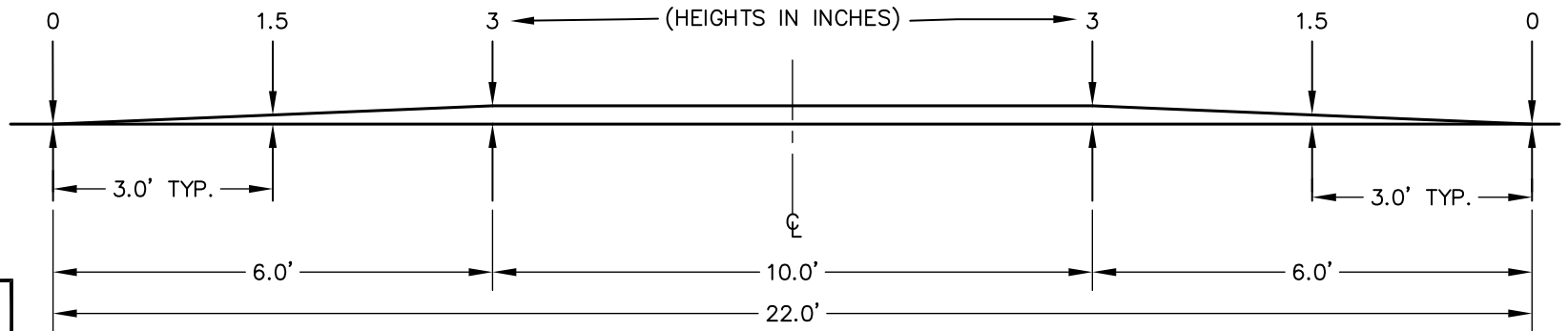


**SPEED HUMP
(HORIZONTAL)**

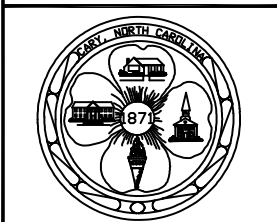


SECTION B-B



SECTION A-A

**STANDARD PAVEMENT UNDULATION
(FLAT TOP SPEED HUMP)**



EFFECTIVE: 07/01/04

DETAIL No.

03000.18

SHEET 2 OF 3