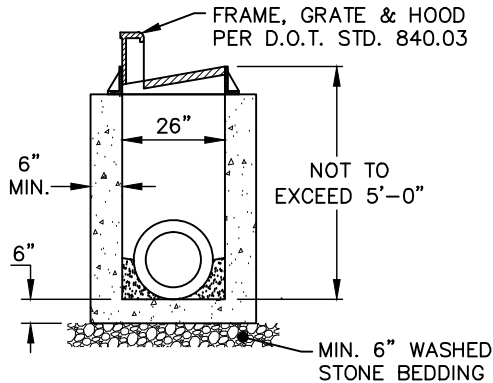
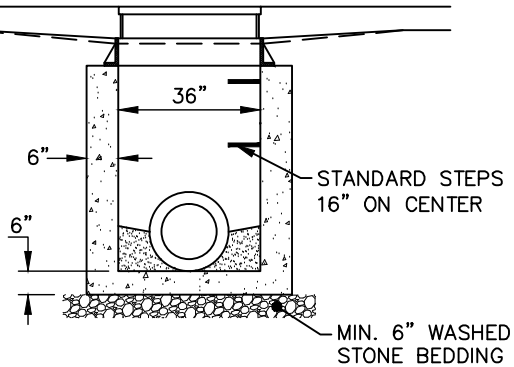


### SHALLOW TYPE

(5 FEET OR LESS IN DEPTH)

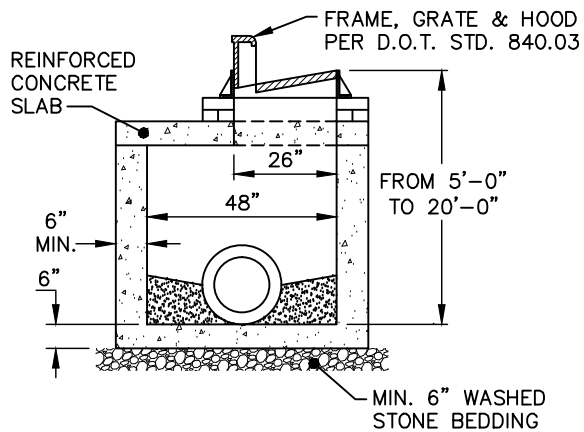
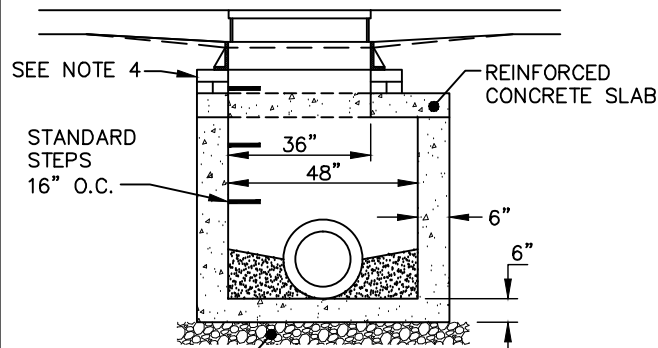


**NOTES:**

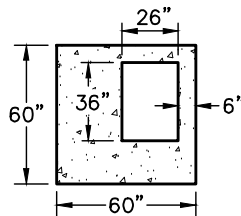
1. CONCRETE SHALL BE 4000 P.S.I. MINIMUM FOR ALL PRECAST CONCRETE CATCH BASINS.
2. PRECAST CONCRETE STRUCTURES MAY ONLY BE INSTALLED TO DEPTHS CERTIFIED AS ACCEPTABLE BY THE MANUFACTURER.
3. "WAFFLE" BOXES ARE ACCEPTABLE FOR SHALLOW TYPE CATCH BASINS.
4. BRICK MAY BE USED TO ADJUST FRAME, GRATE & HOOD TO SURFACE ELEVATION A MAXIMUM OF 12 INCHES.

### INTERMEDIATE TYPE (4'X4')

(5 FEET TO 20 FEET IN DEPTH)



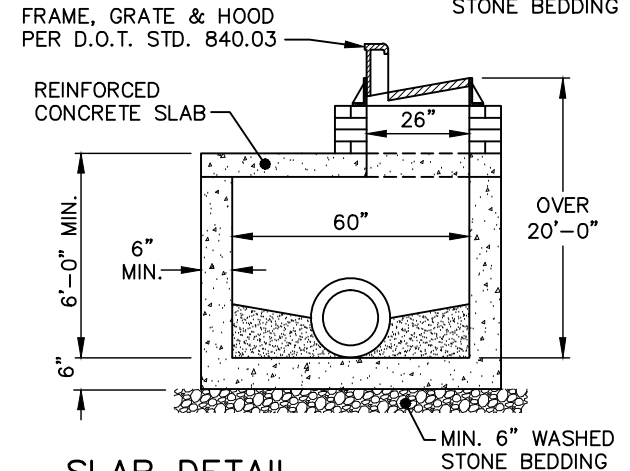
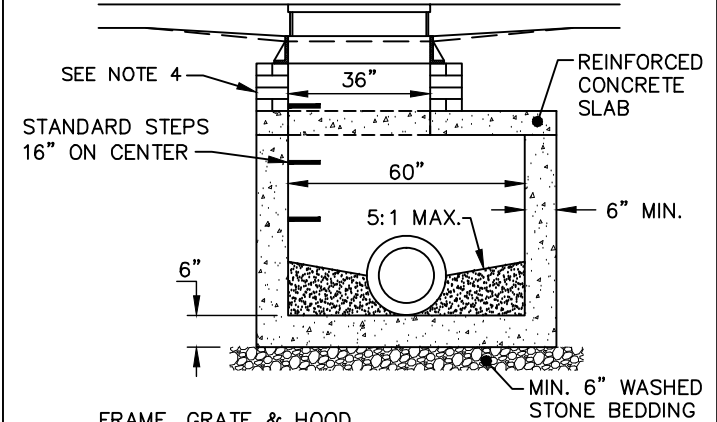
#### SLAB DETAIL



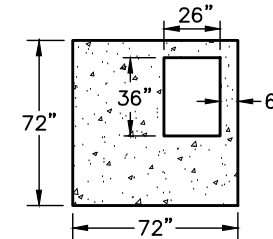
SLAB THICKNESS AND REINFORCEMENT FOR SOIL AND TRAFFIC LOADING BY AN ENGINEER

### DEEP TYPE (5'X5')

(OVER 20 FEET IN DEPTH)



#### SLAB DETAIL



SLAB THICKNESS AND REINFORCEMENT FOR SOIL AND TRAFFIC LOADING BY AN ENGINEER



EFFECTIVE: 12/10/09

## STANDARD PRECAST CONCRETE CATCH BASIN

DETAIL No.

08000.03

SHEET 2 OF 2