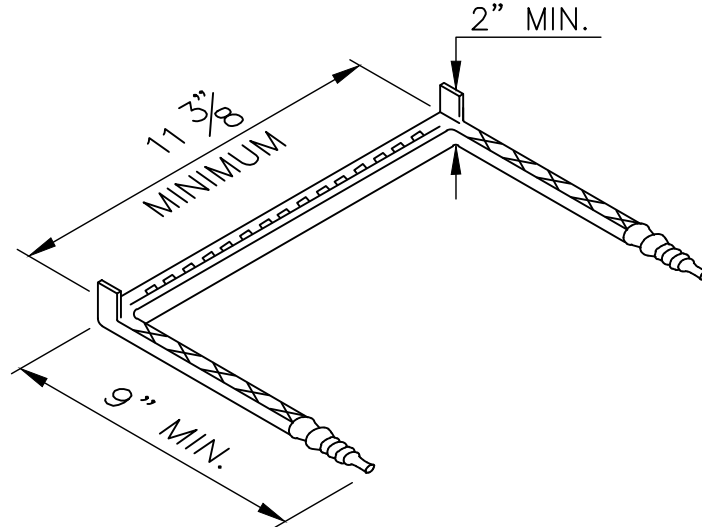


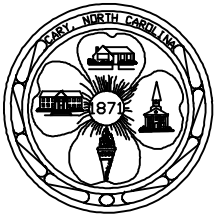
SECTION VIEW

NOTES:

1. VERTICAL SPACING = 16" O.C., ON VERTICAL WALL ONLY.
2. STEPS TO PROTRUDE MINIMUM 5" FROM FACE OF STRUCTURE WALL.
3. STEPS SHALL MEET THE REQUIREMENTS OF ASTM C478 IN ADDITION TO A HORIZONTAL PULL-OUT LOAD OF 1000 LBS. WHEN INSTALLED.
4. ALL STEPS SHALL BE VERTICALLY ALIGNED IN A STRAIGHT LINE.
5. NO STEPS LOCATED INSIDE MANHOLE CHIMNEY.



ENCAPSULATED STEEL STEP



EFFECTIVE: 12/10/09

MANHOLE STEPS

DETAIL No.

07000.02

SHEET 1 OF 1