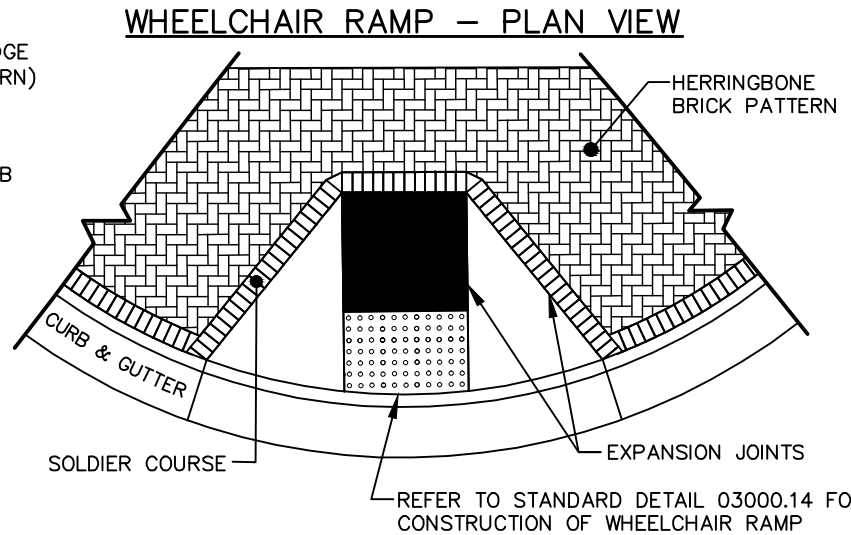
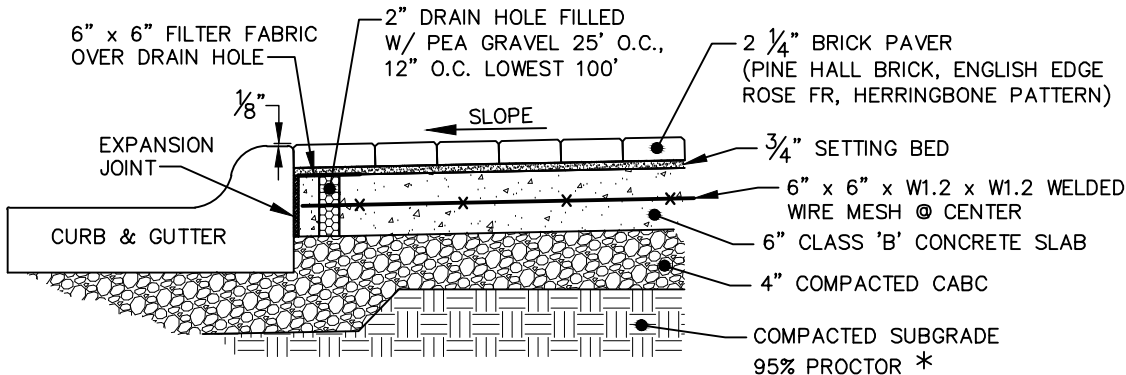


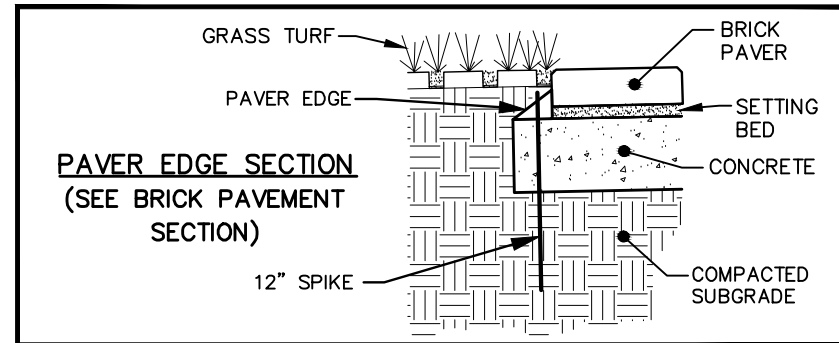
**BRICK SIDEWALK SECTION  
LIGHT DUTY**



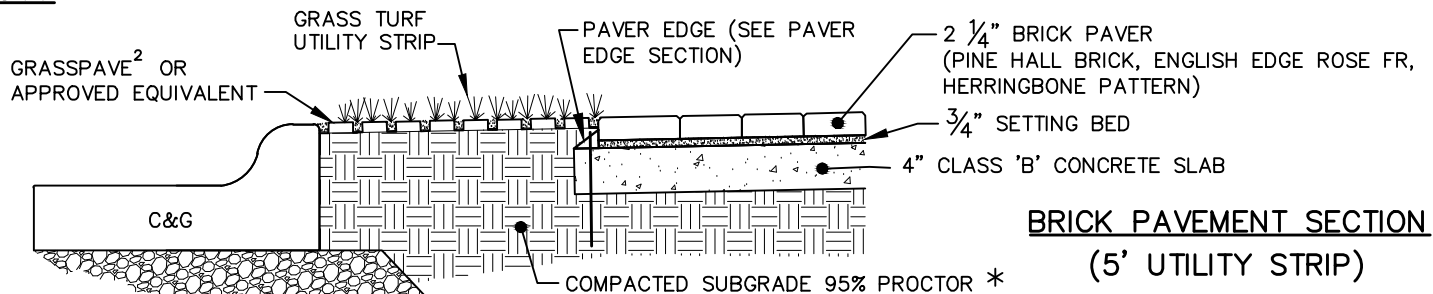
**WHEELCHAIR RAMP – PLAN VIEW**



**BRICK SIDEWALK SECTION  
HEAVY DUTY**



**PAVER EDGE SECTION  
(SEE BRICK PAVEMENT SECTION)**



**BRICK PAVEMENT SECTION  
(5' UTILITY STRIP)**



EFFECTIVE: 12/10/09

**STANDARD BRICK PAVERS OR CONCRETE PAVERS SIDEWALK**

DETAIL No.

03000.07  
SHEET 2 OF 2